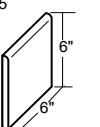
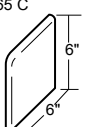
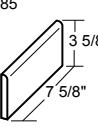
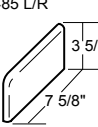
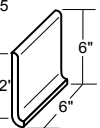
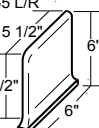
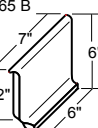
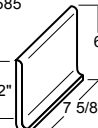
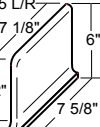
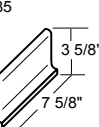
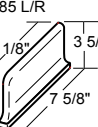
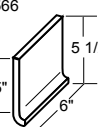
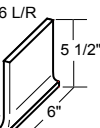
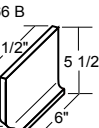
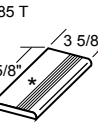
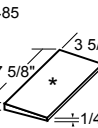


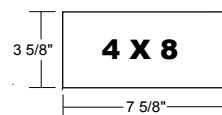
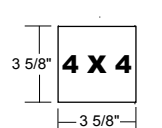
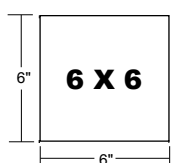
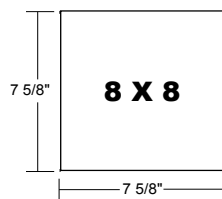
TRIM SELECTION

A wide range of trim pieces are available to finish the quarry tile floor. Please call for color availability

 <p>Q1665 Bullnose</p>	 <p>Q1665 C Bullnose Corner</p>	 <p>Q1485 Bullnose</p>	 <p>Q1485 L/R Bullnose Corner</p>
 <p>Q3565 Cove Base</p>	 <p>Q3565 L/R Cove Base Outside Corner</p>	 <p>Q3565 B Cove Base Inside Corner</p>	 <p>Q3585 Cove Base</p>
 <p>Q3585 L/R Cove Base Outside Corner</p>	 <p>Q3485 Cove Base</p>	 <p>Q3485 L/R Cove Base Outside Corner</p>	 <p>Q3566 Flat Top Cove Base</p>
 <p>Q3566 L/R Flat Top Cove Base Outside Corner</p>	 <p>Q3566 B Flat Top Cove Base Inside Corner</p>	 <p>Q1485 T Stair Tread</p>	 <p>Q8485 Transition Tile</p>

*BARRIER FREE COMPONENTS 

SIZES



• Flashed Quarry Tile

Available in 6" x 6" and nominal 4" x 8" (3 5/8" x 7 5/8") and 8" x 8" (7 5/8" x 7 5/8") sizes.

• Quarry Tile Clear Tones

Available in 6" x 6", nominal 4" x 8" (3 5/8" x 7 5/8"), 8" x 8" (7 5/8" x 7 5/8"), and 4" x 4" (3 5/8" x 3 5/8") sizes. AC 340, AC 370 and AC 311 are also available in manufactured square edge in 6" x 6" size and 3/8" thick economy product in 6" x 6" size.

• Aggregate Surface Quarry Tile

Available in 6" x 6" and nominal 8" x 8" (7 5/8" x 7 5/8") sizes. Also available in manufactured square edge in 6" x 6" size.

• Quarry Tread Tile

is available in 6" x 6" size.

PERFORMANCE SPECIFICATION

By ANSI Standard Specification A137.1 FBC's unglazed tile is classified as quarry tile, however, the exceptional technical characteristics noted enable them to be used in virtually any application suitable for ceramic tile. FBC's unglazed tile meets both the ASTM standards, the ANSI A137.1 specification for quarry tile, and internal requirements as listed.

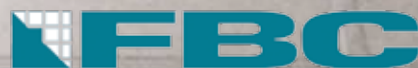
Specification	Test	Standard	Result
Abrasion Resistance	ASTM C501	Index of 35 or better	Tests at >80 or better.
Absorption 5-hour boil	ASTM C373	5%	Tests at 3% maximum and qualifies as vitreous.
Breaking Strength	ASTM C648	Min. 250 lbs.	Tests at 400 lbs. or better.
Compressive Strength	ASTM C67	No industry standard	Tests at 15,000 P.S.I. or better.
Facial Size Variation	ASTM C499	Average facial dimension of each tile not to exceed 4% from nominal dimension(s)	Meets the standard.
Freeze/ Thaw	ASTM C67	No industry standard	ASTM test is 50 cycles.
	Internal test	Internal standard is 3,000 cycles.	
Shear Bond Strength	ASTM C482	50 P.S.I. or better	Exceeds the standard.
Static Coefficient of Friction	ASTM C1028	No industry standard	At time of manufacture, all colors meet or exceed measure of 0.70 dry and 0.60 wet. <i>Aggregate Surface Quarry Tile and Quarry Tread Tile</i> (enhanced slip resisting products) meet or exceed 0.90 dry and 0.70 wet
Thickness	ASTM C499	Max. range of .050"	Meets the standard.
Warpage	ASTM C485	Max. 1.5% along any edge. 1.0% on either diagonal.	Meets the standard.
Wedging	ASTM C502	Max. 1.0%	Meets the standard.

Environment Friendly

The body composition includes some recycled material. The tiles do not produce off-gassing associated with some flooring products. AmeriCraft III® products are long lasting, and when properly cared for, will meet the most demanding applications with years of quality service. The look can actually be enhanced over time when subjected to a scheduled maintenance program.

Limited Warranty

It is warranted as limited below, that these products will meet the testing standards and specifications set forth. In the event of a defect or failure to conform to this written warranty, Florida Brick & Clay Company, Inc. will remedy shipment shortages and replace defective tile F.O.B. plant if timely notice of the defect is received prior to installation of the tile. Because specific installation details, structural design and environmental conditions are beyond Florida Brick & Clay Company's control, we are not responsible for the performance of our products after they are installed except in the case of latent defects. Please see our complete Limited Warranty for further details.



Since 1963 Paving The Way To The Future

FBC is a member of the following Trade Organizations



1708 Turkey Creek Road Plant City, Florida 33566 • (813) 754-1521; Fax (813) 754-5469
e-mail: customerservice@floridabrickandclay.com • web site: www.floridabrickandclay.com



AmeriCraft III®

T · I · L · E

CENTURA

PRODUCTS OVERVIEW

QUARRY TILE CLEAR TONES

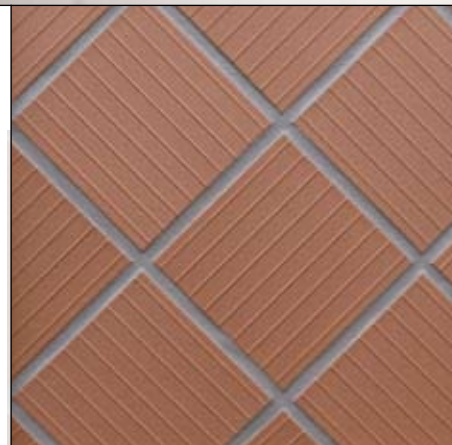
Unglazed ceramic tile in natural, through-the-body colors for demanding applications indoors and out.



QUARRY TREAD TILE

Features nine raised treads across the surface of each tile for **added slip resistance**.

COF of at least 0.90 dry and 0.70 wet at time of manufacture.



FLASHED QUARRY TILE

Unglazed ceramic tile with **kiln-fired flash** for a variation in depth of color and tone. Combines strong earth tones, mellow ranges and deep hues.



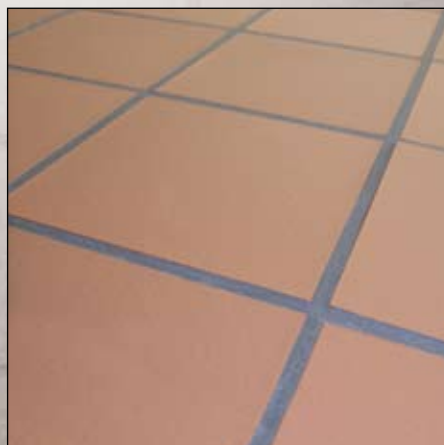
3/8" QUARRY

Meets the standards for 1/2" thick quarry tile in a **3/8" thick** size. Uses less grout and reduces freight costs.



SQUARE EDGE QUARRY

Manufactured with a **square edge**. Designed specifically to be used with epoxy grout for a smaller grout joint.



AGGREGATE SURFACE QUARRY TILE

Features a metallic additive throughout the body of the tile for **added slip resistance**.

COF of at least 0.90 dry and 0.70 wet at time of manufacture.



QUARRY PAVER

Engineered to meet the demands of heavy truck and industrial applications. **6"x 9"x 3/4" thick.**



Installation Specifications

A typical specification to assure the use of Florida Brick & Clay Company, Inc. unglazed quarry tile on your next job should be written as follows:

Ceramic tile shall be Florida Brick & Clay Company, Inc., "unglazed quarry tile". The body composition shall be of the finest shales and clays producing a uniform dense body with slip-resisting texture. Color shall be: ___ Sizes shall be: ___ Patterns: as per drawing. Grout: Compatible colors as approved by architect. Test results shall be available upon request.

For best installation results we recommend the following be included in the specification: Nominal 3/8" joint widths. Mix tile from several cartons for best shading during installation. Use beating block to embed tile and align surfaces and edges. Clean colored grout with cheesecloth or toweling for uniform grout color and most uniform grout level and texture. Some acid cleaners may damage grout joints. Test a small area first. Wet floor with clean water before applying any acid cleaner. Do not use any product containing Hydrofluoric acid since it will attack both grout and tile.

This section is intended as a general guide to the specification of high density unglazed ceramic quarry tile. For specific information and details, refer to the ANSI A108 Series -1992, The Tile Council of America Handbook for the Installation of Ceramic Tile current edition and, where local environmental conditions are unusual or severe, local installation practices.

Cleaning and Maintenance

Initial Cleaning and Seasoning

- 1) It is the installer's responsibility to thoroughly clean and remove all grout or mortar residue from the new tile surface.
- 2) Because grout joints are porous and highly susceptible to staining, you may wish to protect them with an application of a penetrating sealer, such as Florida Brick and Clay's Natural Clay Products Penetrating Sealer.
- 3) Season the floor by mopping thoroughly with a double strength application of Hillyard's Super Shine-All®, Murphy's Oil Soap, or other neutral liquid cleaner. *If the floor will be subject to frequent staining by fat, oil or grease spills, you may wish to apply a penetrating sealer to the tile as well as the grout joints to enhance the tile's soil resisting characteristics. Make sure to apply the penetrating sealer before seasoning the floor.

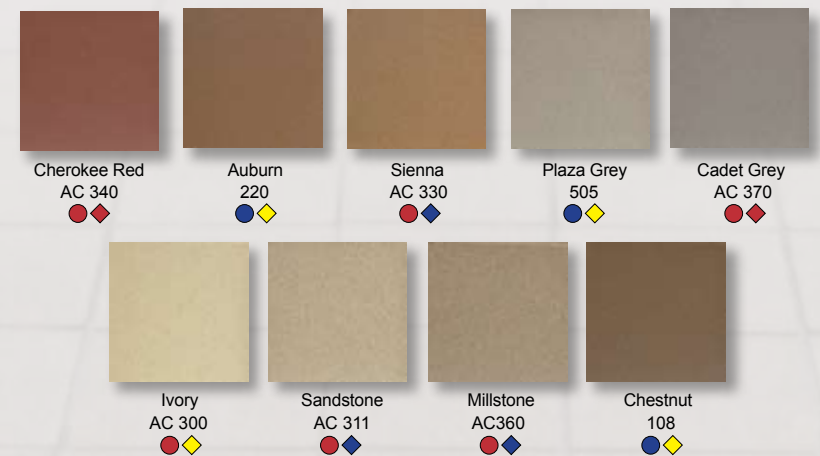
Follow the manufacturer's directions carefully. Wipe up all excess sealer immediately to prevent surface discoloration.

Sizes, Availability and Price Groups

- Available in:
8 x 8, 4 x 8, 6 x 6 - Plant City, FL.
4 x 4- Canton, Oh.
- Available in:
8 x 8, 4 x 8, 6 x 6, 4 x 4- Canton, Oh.
- Available in:
6 x 6 - Plant City, FL.
8 x 8, 4 x 8- Canton, Oh.
- Available in:
6 x 6 - Canton, Oh.
- Available in:
8 x 8, 4 x 8, 6 x 6 - Canton, Ohio
- ◆ Price Group 1
- ◆ Price Group 2
- ◆ Price Group 3

COLOR SELECTION

QUARRY TILE CLEAR TONES



AGGREGATE SURFACE QUARRY TILE

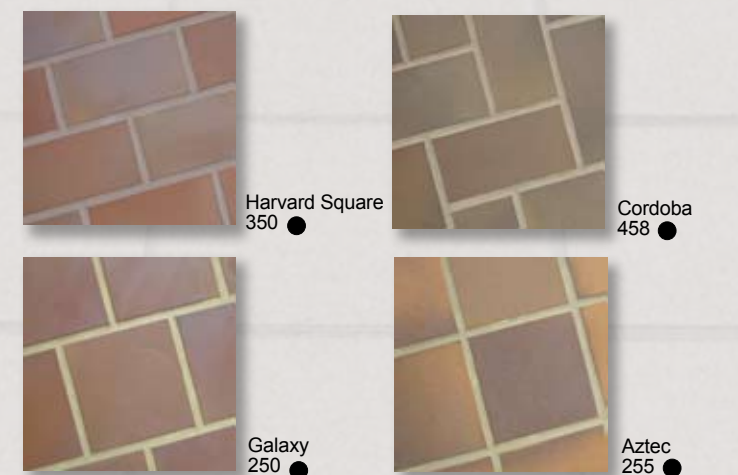
Also available in manufactured Square Edge in 6x6 size.



QUARRY TREAD TILE



FLASHED QUARRY TILE



Please Note: Colors are as accurate as a printed representation can be. For final color selection please refer to current actual tile samples.

Cover:

- Top Left - Commercial Kitchen: Quarry Tread Tile (6"x 6" Mayflower Red MT31T)
- Top Right - Grocery Store: Quarry Tile Clear Tones (6"x 6" Sandstone AC 311)
- Bottom Left - Residential Walkway: Flashed Quarry Tile (4"x 8" Cordoba 458)
- Bottom Right - Residential Outdoor Patio: Flashed Quarry Tile (4"x 8" Aztec 255)